

Double-Ended Shear Beam Load Cell

FEATURES

- Rated capacities of 10,000 to 100,000 pounds
- Center-link loaded
- Integral conduit adaptor
- Trade certified for NTEP Class III: 10000 divisions; Class III: 5000 divisions and OIML R60 3000 divisions in 20,000 to 100,000 pounds range
- *Sensorgage™* sealed to IP67 standards
- Factory Mutual System Approved for Classes I, II, III; Divisions 1 and 2; Groups A through G. Also, non-incendive ratings (No barriers!).
- **Optional**
 - 65058S stainless steel, welded seal version available
 - 65058-TSA companion assemblies for vehicle scales
 - 65069-TWA companion assemblies for vessel weighing
 - Capacities up to 500,000 consult factory



65058-TSA



65069-TWA



APPLICATIONS

- Truck scales
- Railroad track scales
- Precision tank, bin and silo weighing
- Level and inventory monitoring

DESCRIPTION

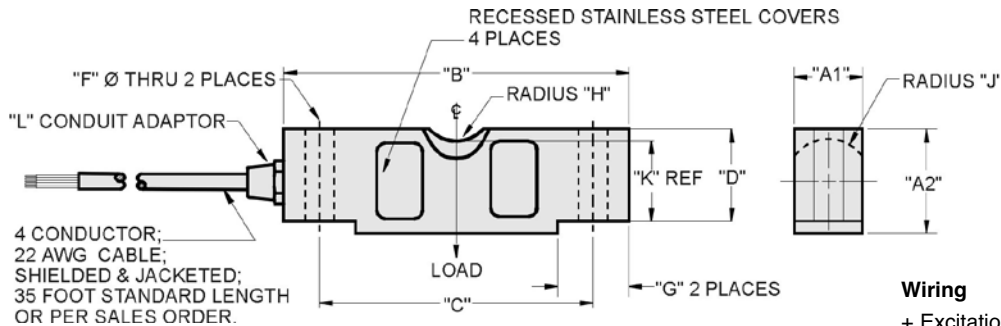
The 65058 is a mid to high capacity, nickel-plated alloy steel, double ended Shear beam load cell.

This product is designed for use in certified truck and rail scales and is available in capacities ranging from 10k to 100k lbs.

This load cell is rated intrinsically safe by the Factory Mutual System (FM); making it suitable for use in potentially explosive environment.

This load cell is certified for legal for trade applications by both American NTEP and International OIML standards.

OUTLINE DIMENSIONS in inches



CAPACITY	A1	A2	B	C	D	F	G	H	J	K	L
10k-25k	1.69	1.94	7.75	6.50	1.70	0.68	1.38	0.75	0.90	1.63	1/4 - 18 NPT
40k	1.94	2.44	10.25	8.50	2.10	0.81	1.93	1.00	1.12	2.00	1/4 - 18 NPT
50k-75k	2.44	2.94	10.25	8.50	2.65	1.06	1.93	1.00	1.37	2.54	1/2 - 14 NPT
100k	2.90	3.86	15.25	12.75	3.43	1.62	3.13	1.50	1.80	3.30	1/2 - 14 NPT

Capacities are in pounds.

Double-Ended Shear Beam Load Cell

SPECIFICATIONS					
PARAMETER	VALUE				UNIT
Rated capacity—R.C. (E_{max})	10k, 25k, 40k, 50k, 60k, 75k, 100k ⁽¹⁾				lbs
NTEP/OIML accuracy class	NTEP III	NTEP IIIIL	Standard	OIML R60	
Maximum no. of intervals (n)	5000 multiple	10000 multiple		3000	
$Y = E_{max}/V_{min}$	See NTEP cert. 86-046A3			6667	Maximum available
Rated output—R.O.	3.0				mV/V
Rated output tolerance	0.25				±% mV/V
Zero balance	1.0				±% FSO
Combined error	0.02	0.02	0.03	0.02	±% FSO
Non-repeatability	0.01	0.01	0.015	0.01	±% FSO
Creep error (30 minutes)	0.025	0.030	0.03	0.017	±% FSO
Temperature effect on zero	0.0010	0.0010	0.0015	0.0010	±% FSO/°F
Temperature effect on output	0.0008	0.0008	0.0008	0.0007	±% of load/°F
Compensated temperature range	14 to 104 (–10 to 40)				°F (°C)
Operating temperature range	0 to 150 (–18 to 65)				°F (°C)
Storage temperature range	–60 to 185 (–50 to 85)				°F (°C)
Sideload rejection ratio	500:1				
Safe sideload	100				% of R.C.
Maximum safe central overload	150				% of R.C.
Ultimate central overload	300				% of R.C.
Excitation, recommended	10				VDC or VAC RMS
Excitation, maximum	25				VDC or VAC RMS
Input impedance	686–714				Ω
Output impedance	699–707				Ω
Insulation resistance at 50 VDC	>1000				MΩ
Material	Nickel-plated alloy tool steel ⁽²⁾				
Environmental protection	IP67				

Notes

⁽¹⁾ Consult factory for capacities over 100k
NTEP approval 20-200k lbs only

⁽²⁾ Stainless steel available—model name is 65058S

FSO—Full Scale Output

All Specifications subject to change without notice.